



## ESLR9C - Silverlink 600 Electric Free-standing Oven Range - Castors at Rear - 6 Plates - W 900 mm - 16.5 kW [3-Phase]

Cook quality food at volume with the Silverlink 600 Electric Oven range.

- ✓ Six hotplates and twin fan assisted oven for uniformed heat and consistent cooking
- ✓ Automatic power reduction, if pan boils dry or is removed - prolonging hotplate life
- ✓ Six-position control knob for each plate
- ✓ Large capacity oven for increased productivity.
- ✓ Fully pressed and sealed hob tops ensure that the unit is both easy to clean and maintain
- ✓ Double insulated doors, side and back panels providing safer operation, greater efficiency and economy

### Specifications

#### Summary

Range Name	Silverlink 600
Power Type	Electric
Unit Type	Free-standing
Available in UK Only	No
UK Warranty	2 Years Parts and Labour Warranty
Export Warranty	Contact your local dealer
GTIN Code	5056105104728

#### Power and Performance

Total Power kW	16.5
Temperature Range °C	50 - 250
IP Rating	IP34
Temperature Control	Mechanical
Rating per Hob kW	3 x 2.0, 3 x 1.5
Oven Rating kW	6.0

#### Key Specifications

Number of Shelves included	2
Number of Shelf Positions	4
Number of Hobs	6
Shape of Hob	Round

#### Weights and Dimensions

Unit Height (External) mm	932
Unit Width (External) mm	900
Unit Depth (External) mm	670
Height (Internal) mm	428
Width (Internal) mm	725
Depth (Internal) mm	342
Shelf Dimensions Width mm	700
Shelf Dimensions Depth mm	342
Hob Dimensions mm	W900 x D600
Net Weight Kg	95

#### Supply Connections

Requires Installation	Yes
Requires Electrical Supply	Yes
UK 3 Pin Plug	No
Requires Hardwiring	Yes
Electrical Supply Rating Watts	16,500
Three Phase Amps	L1=27.9 ; L2=27.9 ; L3=15.9
Three Phase Voltage	400

#### Shipping

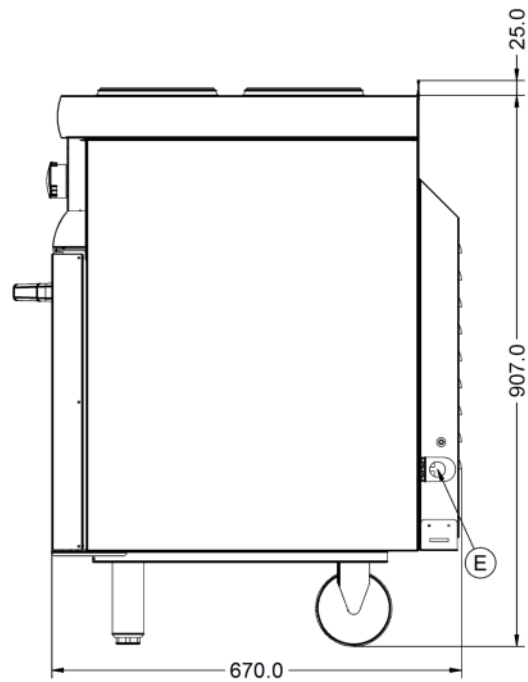
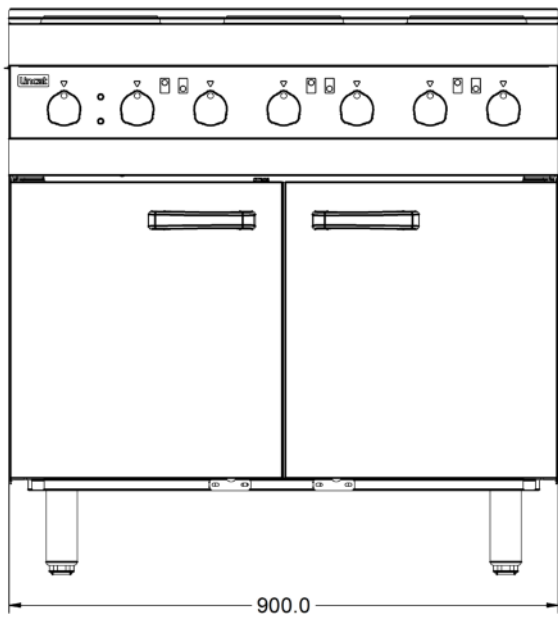
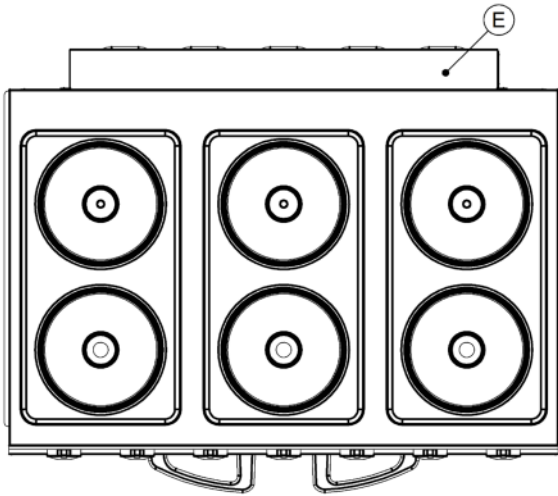
Packed Weight Kg	110
Packed Height cm	110
Packed Width cm	100
Packed Depth cm	81

### Available Accessories

SLR9/SB

SPLASHBACK SLR9/FL

Technical Picture



**Lincat Limited**

Whisby Road,  
Lincoln, LN6 3QZ,  
United Kingdom

**Company No:** 2175448

A member company of



**Customer Care**

**Tel:** +44 1522 875500  
**Email:** care@lincat.co.uk

**Export Customers**

**Tel:** +44 1522 503250  
**Email:** export@lincat.co.uk

**Opening Hours**

**Monday – Friday:**  
8.30am – 5pm