



CF132 Foyer Trolley Assembly Instructions

- UK Telephone Helpline:** 0845 146 2887 (United Kingdom) / 1300 225960 (Australia)
- NL Klantenondersteuning:** 040 – 2628080 (Nederland) / 050 – 609999 (België)
- FR Standard d'assistance téléphonique:** 01 64 89 73 61 (Français) / 050 – 600006 (Belgique)
- DE Telefonische Helpline:** 0800 – 1860806 (Deutschland)
- ES Línea de asistencia telefónica :** 901-100 133 (España)

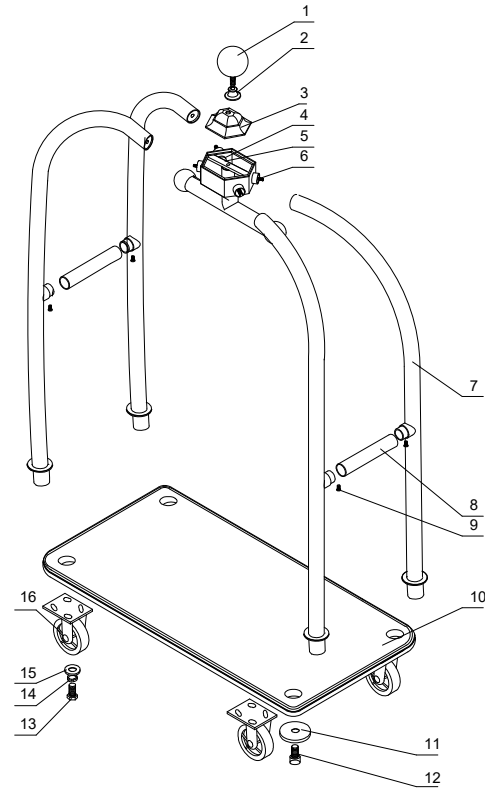


Figure 1

CF132

Parts List:

1.	Ø120 diameter ball	1 No
2.	Ball washer	1 No
3.	Small cover	1 No
4.	39X14 flat washer	4 No
5.	M12X40 bolt	4 No
6.	Head unit	1 No
7.	frame	4 No
8.	handle rail	2 No
9.	M6X12 screw	4 No
10.	Platform	1 No
11.	39X14 flat washer	4 No
12.	M12X40 bolt	4 No
13.	M8X20 bolt	16 No
14.	M8 spring washer	16 No
15.	M8 flat washer	16 No
16.	fixed wheel(universal wheel)	4 No
17.	10mm hexagon ring spanner	1 No

Assembly Instructions:

1. Using fixings **13**, **14** and **15**, attach the wheels to the underside of the Platform: take care to ensure that both fixed wheels **16** are at one end of the Platform and both Universal wheels are at the other end.
2. Take two frame legs **7**, ensuring that the lugs in the centre face one another.
3. Insert the frame leg lugs into either side of the handle rail **8** and rotate the handle rail to ensure that the screw holes line up: secure the handle rail in position with 4 No. M6x12mm screws **9**.
4. Repeat steps 2 & 3 for the frame legs for the other end of the trolley.
5. Insert the foyer trolley head piece **6** into the frame legs **7**; use spanner **17** to tighten bolts from the headpiece into the frame legs (as *Figure 2*)
6. In turn, locate items **3** and **2** onto the head unit **6** and tighten them together using **1**.
7. Once the frame is assembled locate the frame legs in their respective hole **10** locations on the platform.
8. Secure the frame legs to the platform using fixings **11** and **12** (as *Figure 1*)

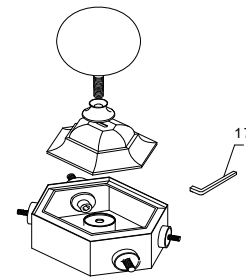


Figure2